



DYNASTY FIREPLACES

# Installation Guide for Dynasty Fireplaces Melody Series (DY-BTS)



# WARNING & CAUTION PAGE:

## PLEASE NOTE:

- Power on and test the electric fireplace unit prior to installation
- This is a general installation guide - local building codes may vary. Consult local building codes prior to installation.

Improper installation, adjustment, alteration, service or maintenance can cause injury or property damage. Refer to the product user manual. For assistance or additional information, consult a qualified installer.

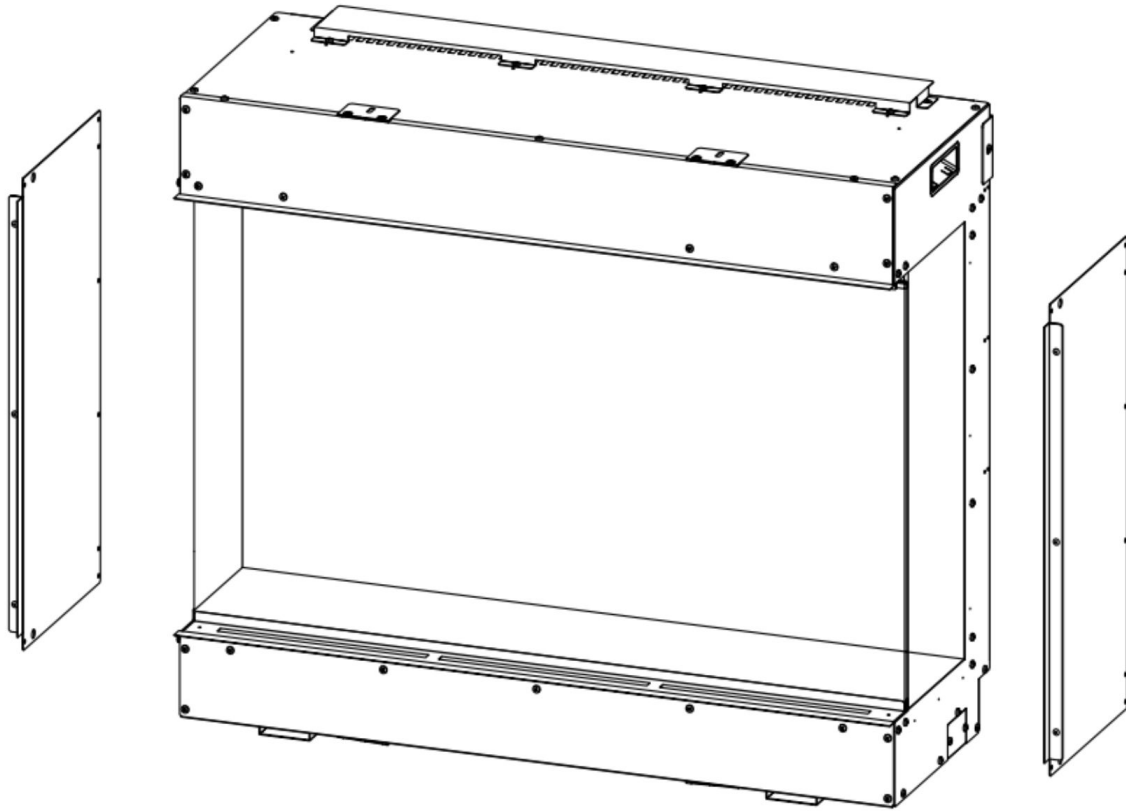
Do not insert or allow foreign objects to enter any ventilation or exhaust opening as this may cause an electric shock or fire, or damage the heater.

DO NOT run power cord under carpeting. DO NOT cover power cord with throw rugs, runners, or similar coverings. DO NOT route power cord under furniture or appliances. Arrange power cord away from traffic area, and where it will not be tripped over.

ALWAYS plug heaters directly into a wall outlet/receptacle. NEVER use with an extension cord or relocatable power tap (outlet/power strip).

NEVER plug this heater into an outlet that is old, cracked, or has any loose wires or connections. Plugging this heater into a faulty outlet could result in electric arcing within the outlet that could cause the outlet to overheat or catch fire

# Melody Series Installation Guide

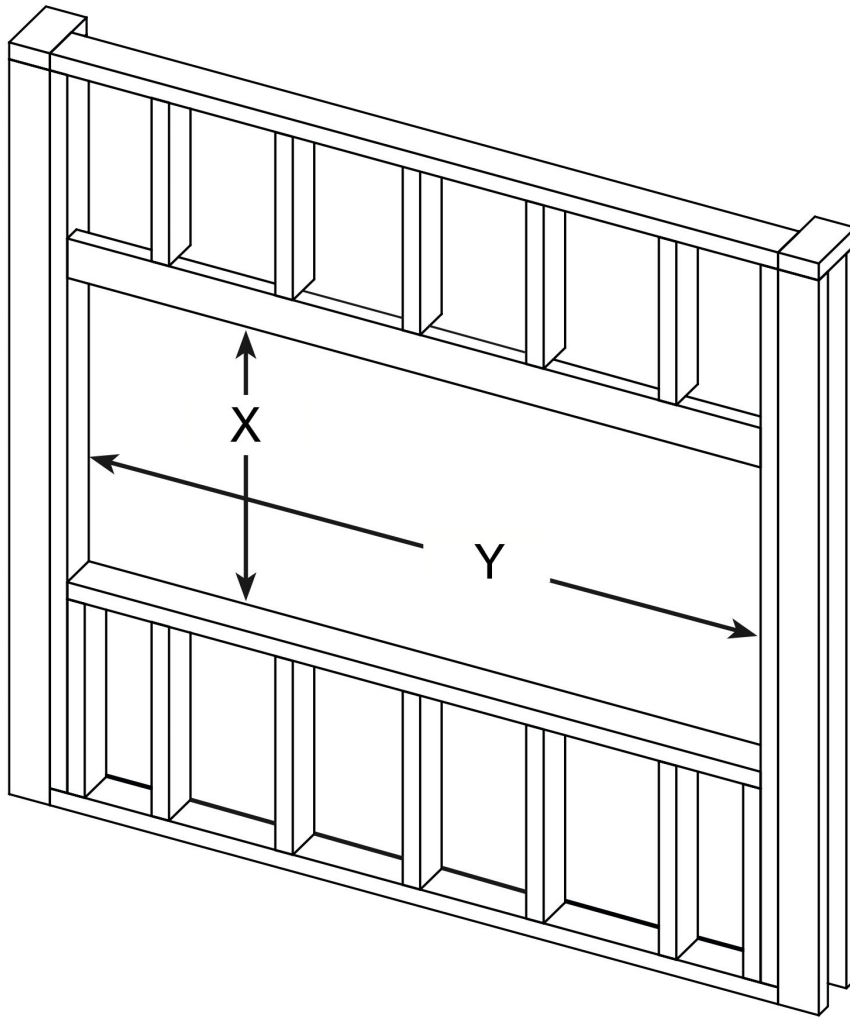


## STEP 1

Determine the installation configuration of the fireplace

- 1) Single-sided (front of fireplace open)
- 2) Double-sided (front, and left or right of fireplace open)
- 3) Three-sided (front, left, and right of fireplace open)

# Melody Series Installation Guide

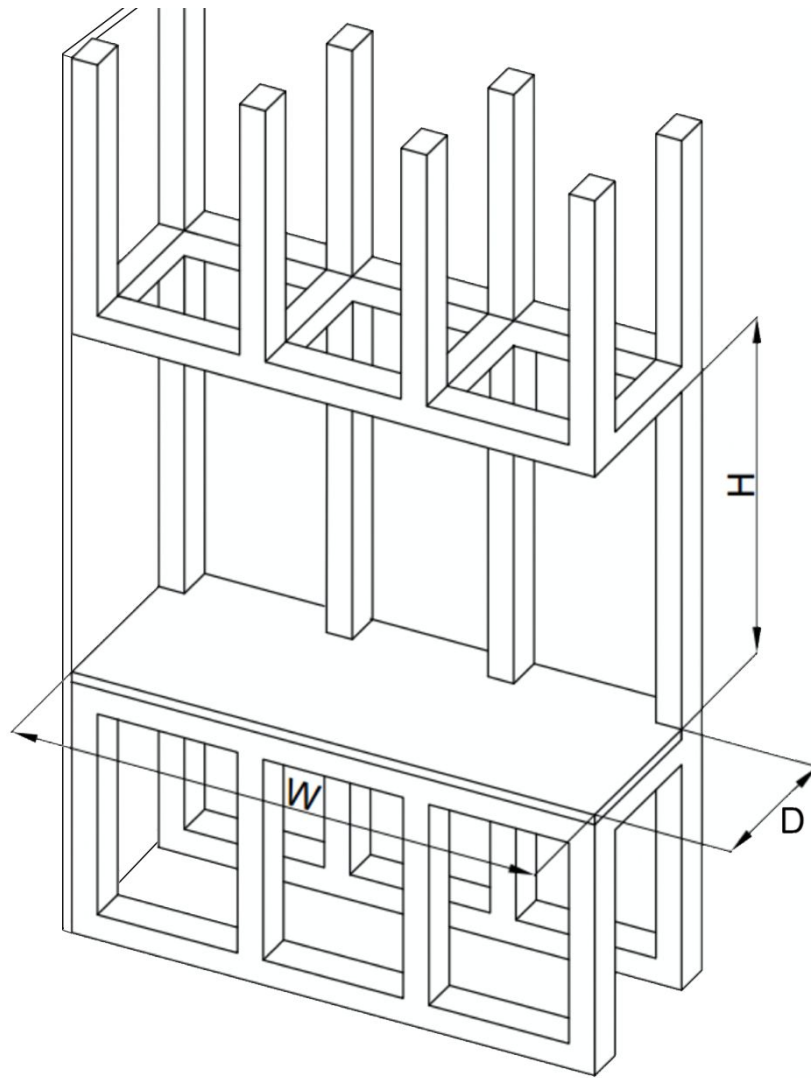


## STEP 1.1 - Framing for single-sided installation

For a single-sided installation, the left and right sides of the opening can be enclosed

Framing Dimensions			
Model	Y	X	Depth
DY-BTS35	33 ½ in.	29 ½ in.	12 ½ in.
DY-BTS40	39 ¾ in.	25 ⅜ in.	12 ½ in.
DY-BTS60	63 ⅜ in.	25 ⅜ in.	12 ½ in.

# Melody Series Installation Guide

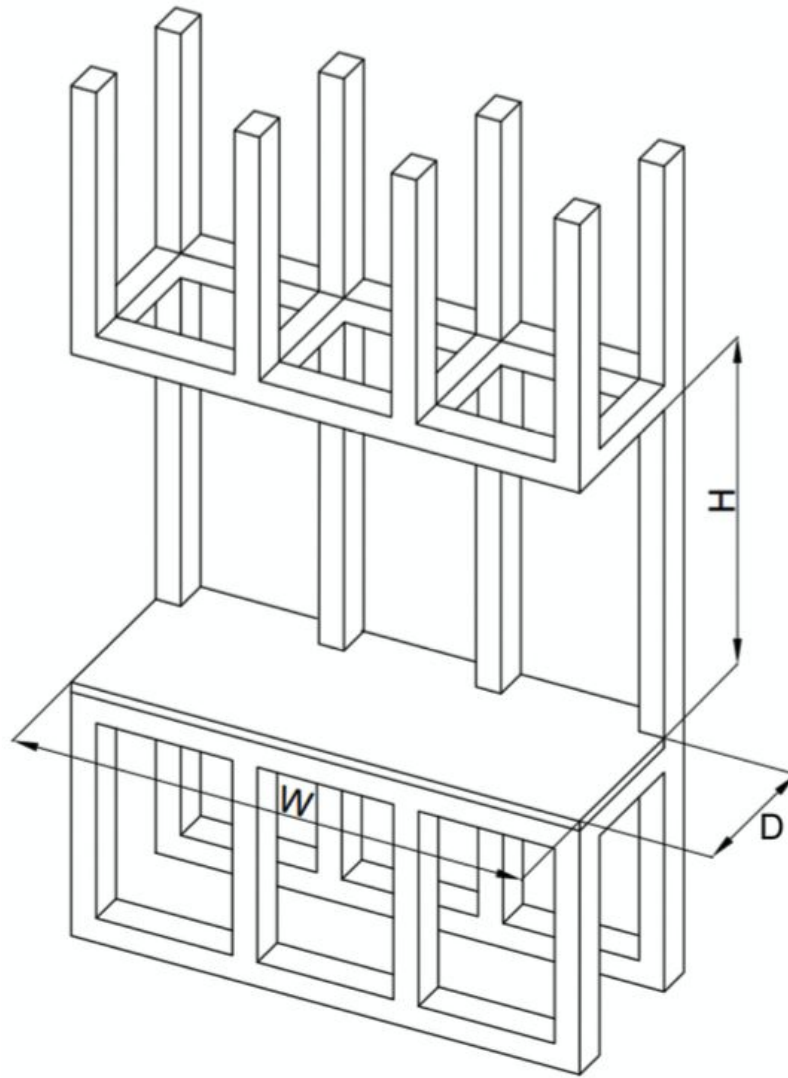


## STEP 1.2 - Framing for two-sided installation

For a two-sided installation, the left or right sides of the opening can be enclosed. Attach the edging strips to the exposed side only.

Framing Dimensions			
Model	W	H	D
DY-BTS35	33 ½ in.	29 ½ in.	12 ½ in.
DY-BTS40	39 ¾ in.	25 ⅜ in.	12 ½ in.
DY-BTS60	63 ⅜ in.	25 ⅜ in.	12 ½ in.

# Melody Series Installation Guide

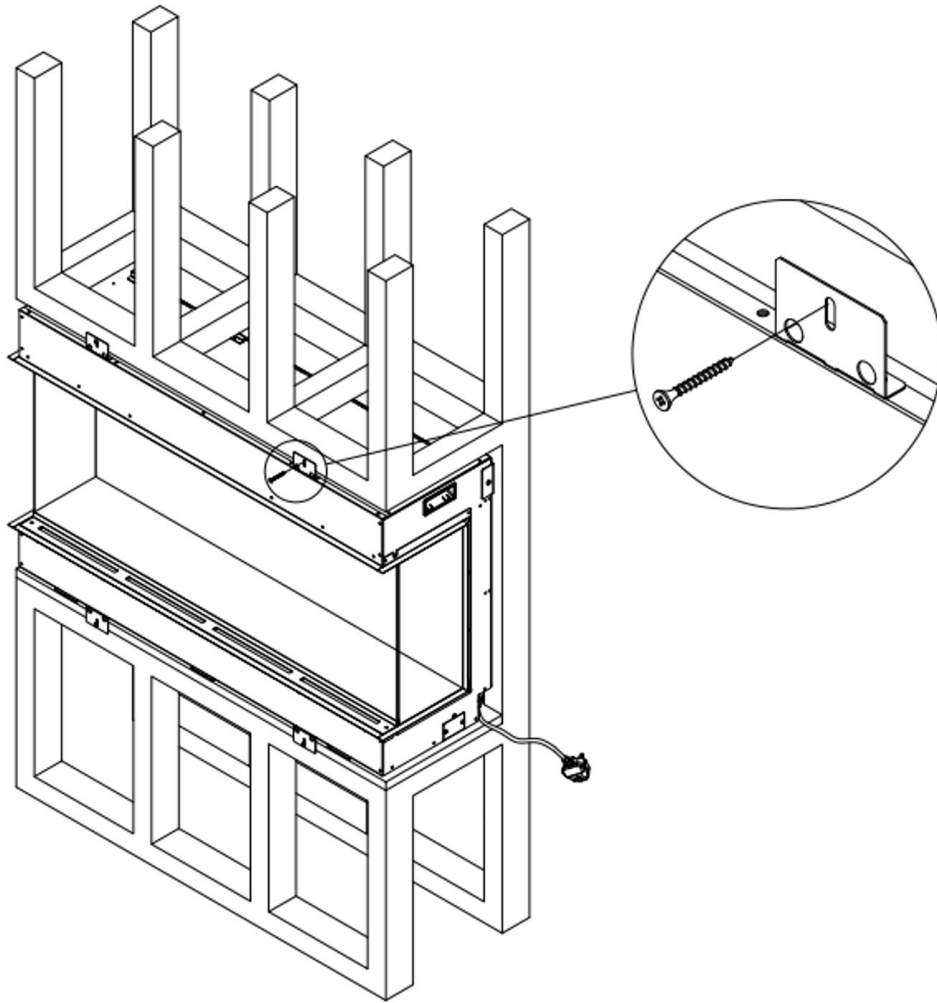


## STEP 1.3 - Framing for three-sided installation

Create framing and opening according to the dimensions of your fireplace. Ensure to attach the edging strips to the left and right side of the fireplace

Framing Dimensions			
Model	W	H	D
DY-BTS35	33 ½ in.	29 ½ in.	12 ½ in.
DY-BTS40	39 ¾ in.	25 ⅜ in.	12 ½ in.
DY-BTS60	63 ⅜ in.	25 ⅜ in.	12 ½ in.

# Melody Series Installation Guide



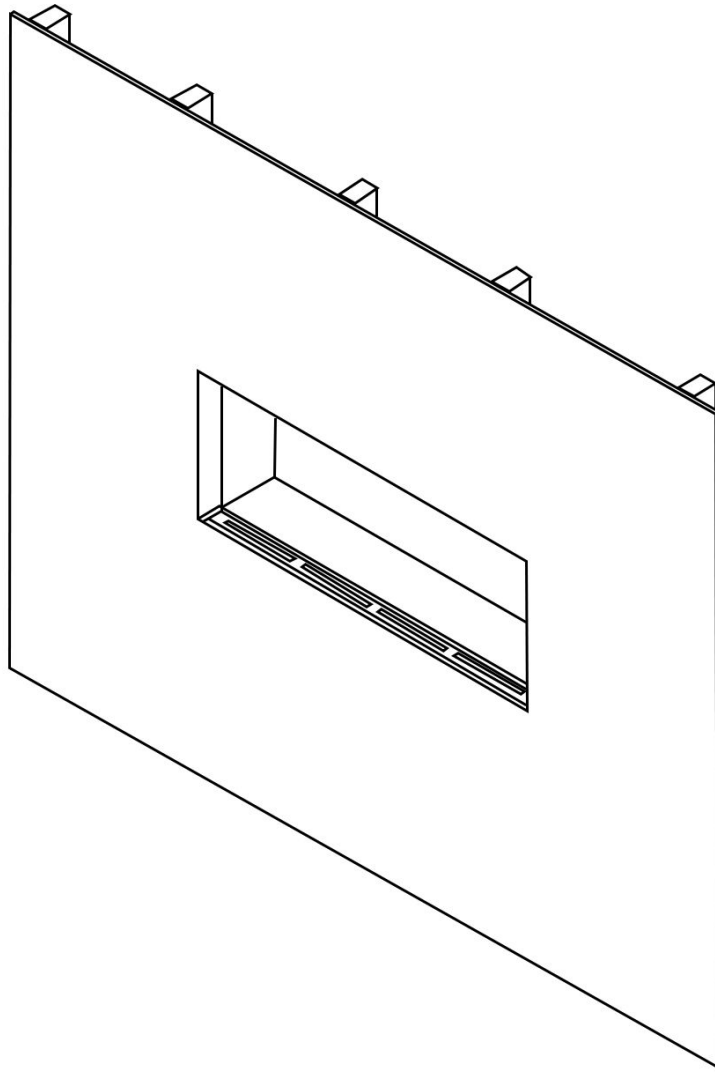
## STEP 2

FOR ALL INSTALLATION METHODS:

Prior to placing the fireplace into the opening, ensure the two brackets on the top and bottom of the fireplace are opened.

Secure the fireplace onto the framing studs with the ST4\*40 screws provided

# Melody Series Installation Guide



## **STEP 3.1 - Finishing for single-sided installation**

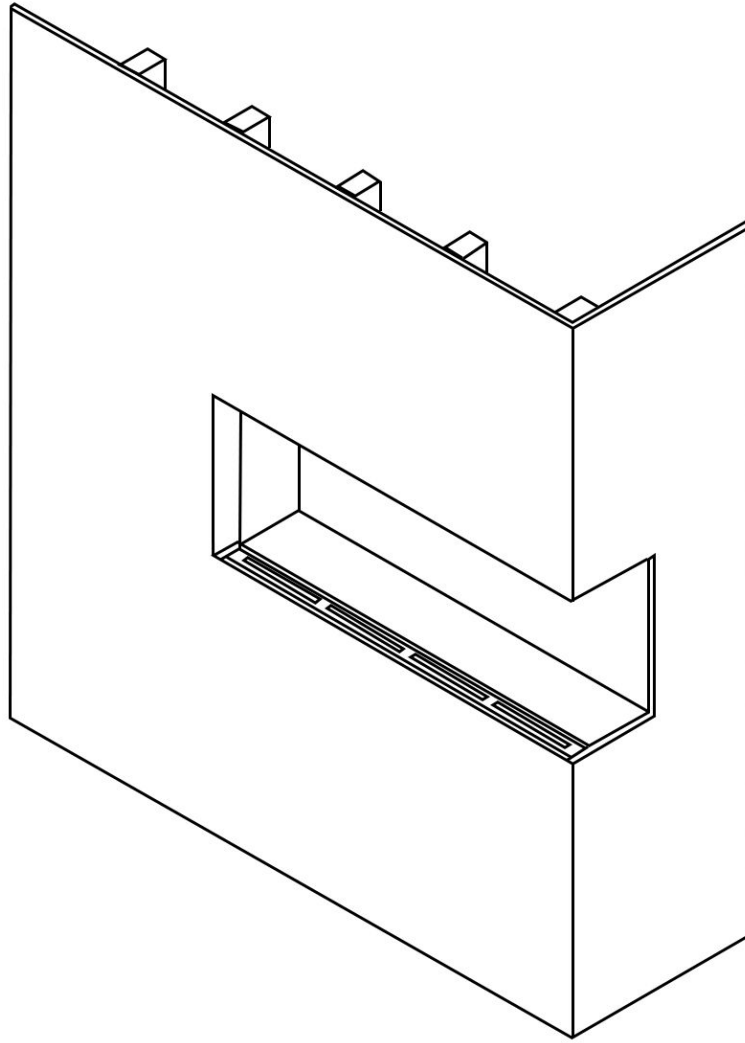
Apply finishing material around the fireplace viewing area, up against the edging strips

NOTE:

The metal area above and below the viewing area of the fireplace can be finished over with the finishing of your choice, and does not need to be exposed.



# Melody Series Installation Guide



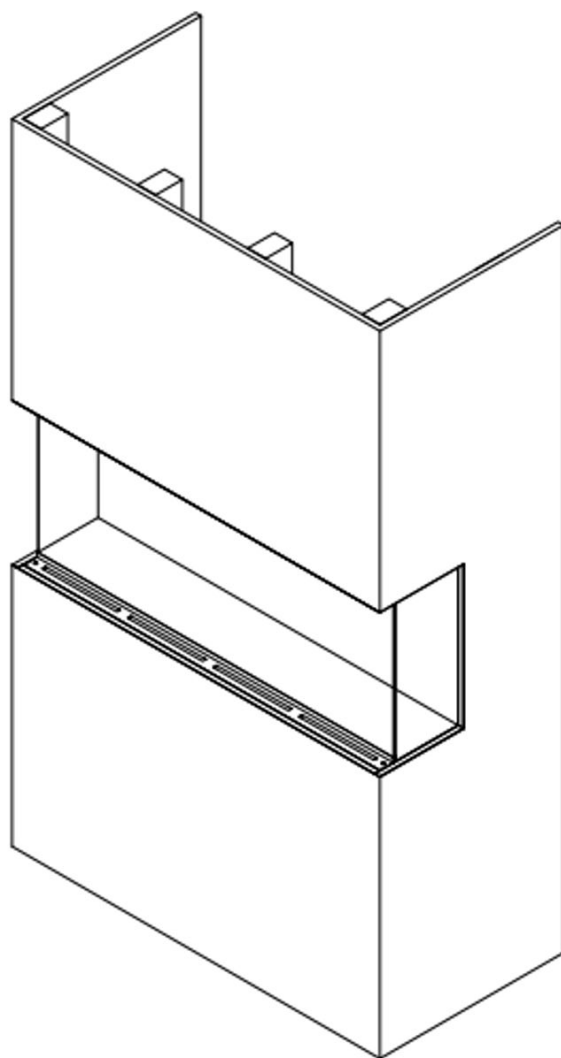
## **STEP 3.2 - Finishing for two-sided installation**

Apply finishing material around the fireplace viewing area, up against the edging strips

### **NOTE:**

The metal area above and below the viewing area of the fireplace can be finished over with the finishing of your choice, and does not need to be exposed.

# Melody Series Installation Guide



## **STEP 3.3 - Finishing for three-sided installation**

Apply finishing material around the fireplace viewing area, up against the edging strips

NOTE:

The metal area above and below the viewing area of the fireplace can be finished over with the finishing of your choice, and does not need to be exposed.

# SUPPORT

For more product information, maintenance guide, and contact information, visit:

[support.dynastyfireplaces.com](https://support.dynastyfireplaces.com)

Contact us:

[support@dynastyfireplaces.com](mailto:support@dynastyfireplaces.com)



THANK  
YOU

[WWW.DYNASTYFIREPLACES.COM](http://WWW.DYNASTYFIREPLACES.COM)